

VERSAX® SERIES

VERSAX PORTABLE & WRAP-AROUND



SELF-PRIMING 2-STAGE FIRE PUMP

The **WATERAX VERSAX-6** and **VERSAX-9** are versatile, rugged, and economical twin impeller self-priming pumps. These units are driven by **6 HP and 9 HP Honda engines**. They produce maximum pressures of 120 PSI (8.3 BAR) and 150 PSI (10.3 BAR). They also produce flow rates of up to 105 US GPM (397 L/min). Their compact design makes them ideal for a variety of applications such as firefighting, tank filling and water transfers.

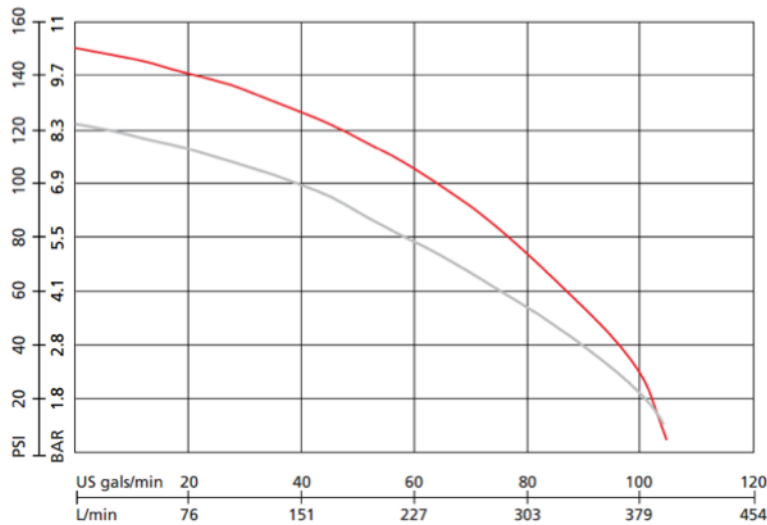
Applications

- Firefighting
- Tank filling
- High head general water transfer
- Boom spraying
- Irrigation

Features and Benefits

- Twin impeller design provides additional pressure for longer & higher pumping applications.
- Pump casing and diffusers manufactured from quality corrosion resistant grade aluminum for long life.
- Nylon glass fiber reinforced impellers fully corrosion proof and lightweight.
- 3-way discharge port for easy installation.
- Powder coated casing for added corrosion resistance.
- Self-priming for more versatile installation options.
- Easy to access drain port.
- Low oil protection.
- Comprehensive user and service manuals.
- EPA certified.

SPECIFICATIONS



— Honda GX200 - 6

HONDA **ENGINES**

Weight: 56 Lbs (25 Kg)
 Engine brand: Honda GX200 Series
 Engine type: Gas 4-Stroke

Flow rate at specified pressure

Maximum pressure: 120 PSI (8.3 bar)
 Free flow: 105 US gals/min (397 L/min)
 Maximum head: 277' (84m)

Flow Rate			Pressure	
US GPM	(LPM)		PSI	(BAR)
83	(314)	@	50	(3.4)
63	(238)	@	75	(5.2)
38	(144)	@	100	(6.9)

— Honda GX270 - 9

HONDA **ENGINES**

Weight: 79 Lbs (36 Kg)
 Engine brand: Honda GX270 Series
 Engine type: Gas 4-Stroke

Flow rate at specified pressure

Maximum pressure: 150 PSI (10.3 bar)
 Free flow: 105 US gals/min (397 L/min)
 Maximum head: 347' (106m)

Flow Rate			Pressure	
US GPM	(LPM)		PSI	(BAR)
92	(348)	@	50	(3.4)
80	(303)	@	75	(5.2)
64	(242)	@	100	(6.9)

Pumps Specifications:

Type: 2-stage Self-Priming Centrifugal Pump
 Maximum Allowable Pressure: 190 PSI (13.1 bar)
 Intake: 2" Male NPT Thread (Other connector options available)
 Discharge: Manifold: (2) 1" Male NPT and (1) 1.5" NPT ports with hard anodized aluminum caps.
 Priming Port: 2" Male BSP with hard anodized aluminum cap
 Body & Diffusers: Anodized corrosive resistant aluminum
 Impellers: 6.28 inches (160 mm) Diameter; Reinforced glass fiber nylon composite.
 Wear Rings: Reinforced glass fiber nylon composite; replaceable.
 Pump Shaft: Extension off engine drive shaft.
 Pump Seal: Maintenance Free; Mechanical Type.
 Drive Unit: Engine, Direct drive off engine PTO shaft.
 Color: Red Powder Coat.

SPECIFICATIONS

Engines Specifications:

Model & Type:	Honda GX200 Series, 4-stroke horizontal shaft, OHV, air cooled gasoline Honda GX270 Series, 4-stroke horizontal shaft, OHV, air cooled gasoline Honda GX270E Series, 4-stroke horizontal shaft, OHV, air cooled gasoline
Net Power Output:	5.5 HP (4.1 kW) @ 3,600 RPM 8.5 HP (6.3 kW) @ 3,600 RPM
Net Torque:	9.1 lb-ft. (12.4 Nm) @ 2,500 RPM 14.1 lb-ft. (19.1 Nm) @ 2,500 RPM
Bore & Stroke:	2.68 x 2.13 inches (68 x 54 mm) 3.03 x 2.28 inches (77 x 58 mm)
Displacement:	11.96 cubic inches (196 cc) 16.48 cubic inches (270 cc)
Starting System:	Manual; Recoil Manual; Recoil with Electric Start Option (for GX270E only)
Ignition:	Transistorized magneto/Digital CDI with variable ignition timing
Governor:	Mechanical
Cooling:	Air Cooled
Lubrication:	Oil, Splash
Oil Capacity:	0.63 quarts (0.6 liters) 1.16 quarts (1.1 liters)
Emissions:	Meets current CARB, EPA, and CE requirements.
Fuel Type:	Gasoline [unleaded, 86 minimum octane, 10% maximum ethanol]
Integrated Fuel Tank Option:	3.3 US quarts (3.1 liters) with manual shut off valve 5.6 US quarts (5.3 liters)
Muffler:	Canister type with forestry approved spark arrestor

Frame Specifications:

Carry Handle:	Front foot support with two rear anti-slip, anti-vibration heavy duty rubber feet.
Wrap-Around:	Protective easy to carry frame with reversible handles and anti-slip, anti-vibration heavy duty rubber feet.

Controls:

Engine supplied controls:	Engine Choke Lever, Throttle Lever, Fuel Valve Lever, and On/Off Switch. Start/Stop switch (GX270E) and Low Oil Led (GX270E).
---------------------------	--

PRODUCT SELECTION MATRIX

		VS2-6P	VS2-6W	VS2-9P	VS2-9W	VS2-9EW
Frame	Carry Handle	S	—	S	—	—
	Wrap-Around	—	S	—	S	S
Discharge Caps	1" NPSH	S	S	S	S	S
	1-1/2" NPSH	S	S	S	S	S
Electric Start	12V Battery	—	—	—	—	S
Dry Weight		57 lbs (25.9 kg)	73 lbs (33 kg)	83 lbs (37.6 kg)	99 lbs (44.8 kg)	117 lbs (52.9 kg)

Standard s
Not Applicable —

TECHNICAL DRAWINGS

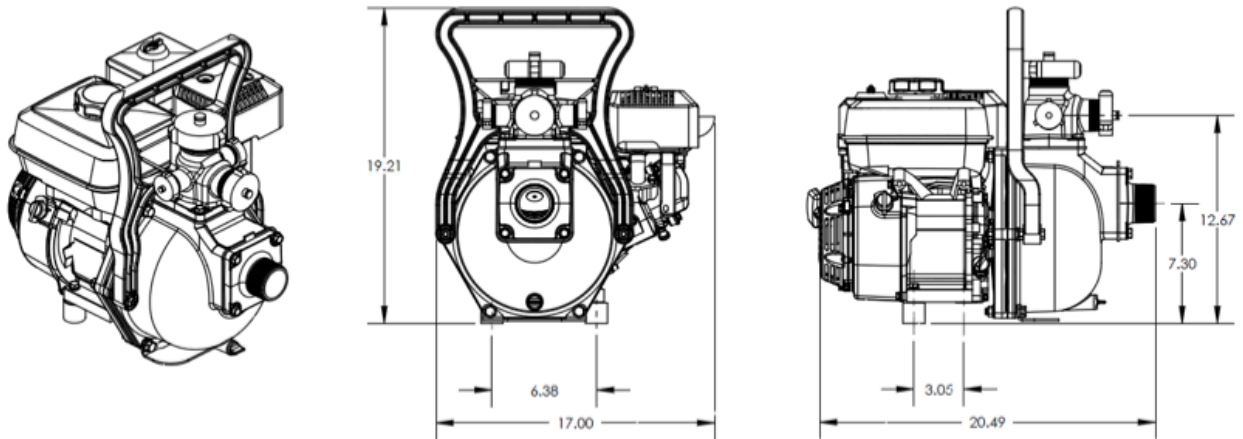
VS2-2P

Length 20.49" (52.0 cm)

Width 17.00" (43.2 cm)

Height 19.21" (48.8 cm)

Weight 57 lbs (25.9 kg)



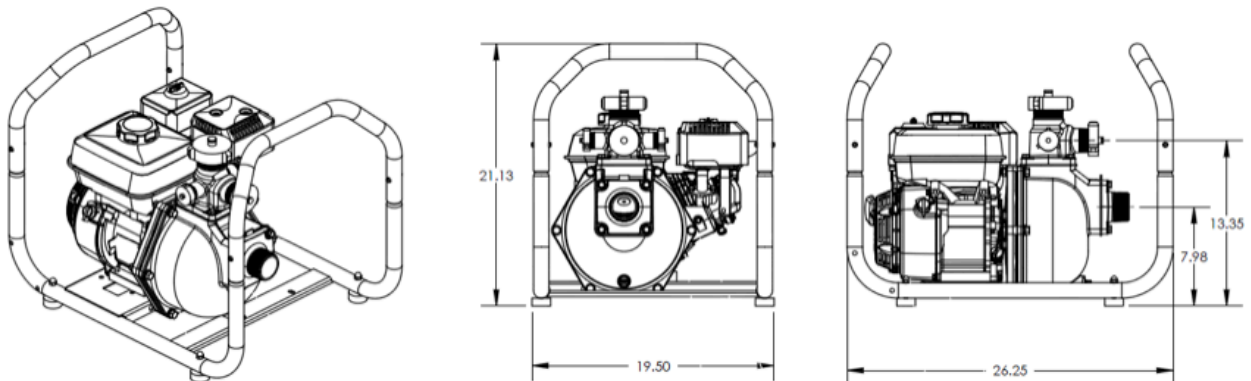
VS2-6W

Length 26.25" (66.7 cm)

Width 19.50" (49.5 cm)

Height 21.13" (53.7 cm)

Weight 61 lbs (27.6 kg)



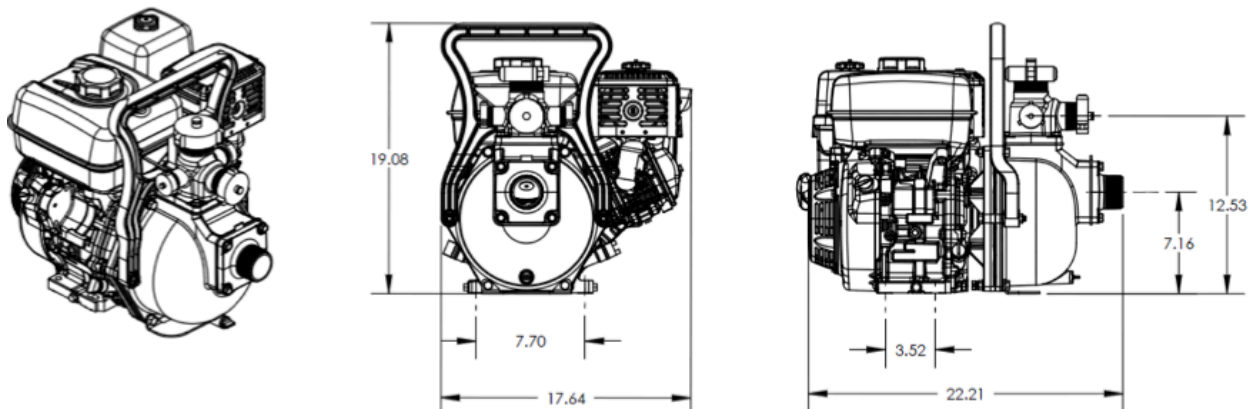
VS2-9P

Length 22.21" (56.4 cm)

Width 17.64" (44.8 cm)

Height 19.08" (48.5 cm)

Weight 79 lbs (35.6 kg)



TECHNICAL DRAWINGS

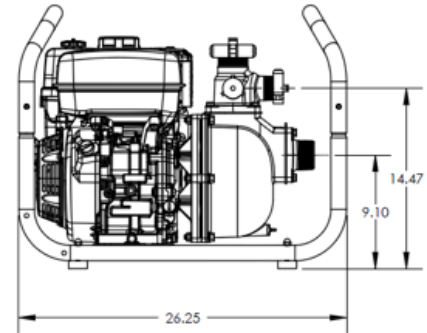
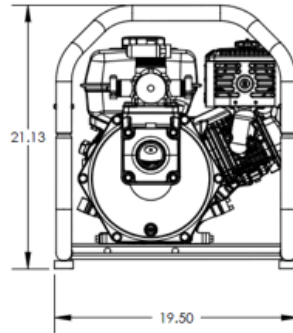
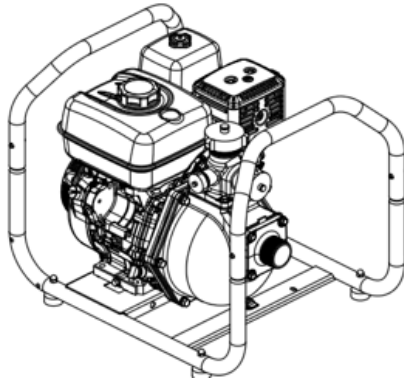
VS2-9W

Length 26.25" (66.7 cm)

Width 19.50" (49.5 cm)

Height 21.13" (53.7 cm)

Weight 83 lbs (37.6 kg)



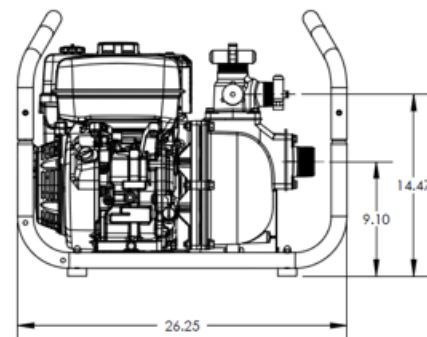
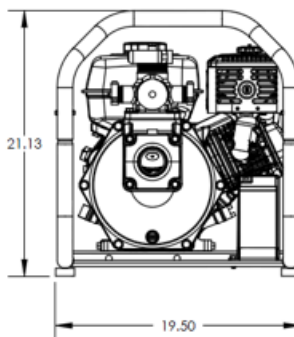
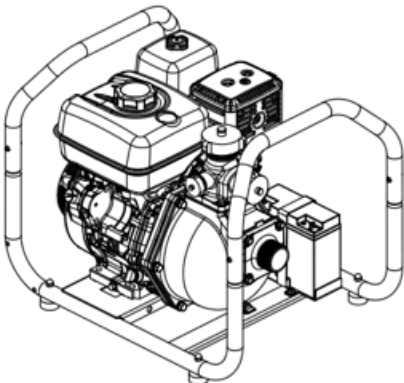
VS2-9EW

Length 26.25" (66.7 cm)

Width 19.50" (49.5 cm)

Height 21.13" (53.7 cm)

Weight 84 lbs (38 kg)



WATERAX

WE MOVE WATER®

WATERAX Inc.
6635 Henri-Bourassa W.
Montreal, QC H4R 1E1

TF 855-616-1818

T 514-637-1818

F 514-637-3985

info@waterax.com
www.waterax.com

Distributed by:



One Stop Fire Products Inc.

Markham, ON L3P 7H9
905-946-1033
1-888-207-5939
Email: info@onestopfire.com

All information contained in this document including drawings is proprietary to WATERAX and may not be copied, reproduced or used in whole or in part without our prior written permission. The information in this document is subject to change without notice. Model displayed with multiple options. Weight and dimensions are approximated and may vary depending on options.